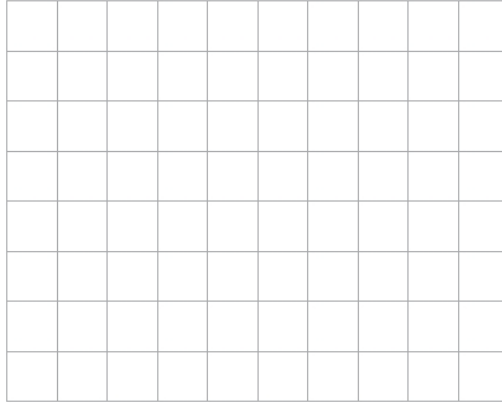


G053 Area and perimeter

Q1.

The length of a rectangle is twice as long as the width of the rectangle.
The area of the rectangle is 32 cm^2 .

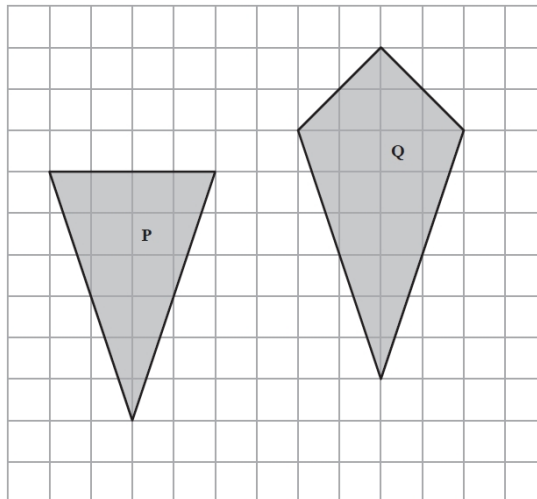
Draw the rectangle on the centimetre grid.



(Total for question = 2 marks)

Q2.

The diagram shows two shapes drawn on a centimetre grid.



(a) Find the area of shape **P**.

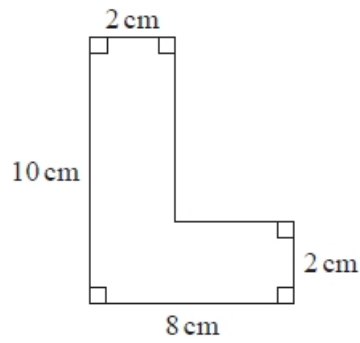
.....
(2)

(b) Write down the mathematical name of quadrilateral **Q**.

.....
(1)

(Total for question = 3 marks)

Q3.



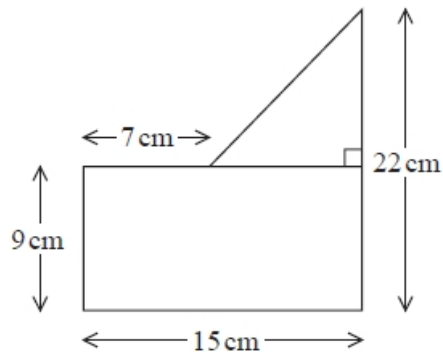
Work out the area of the shape.

..... cm²

(Total for question is 2 marks)

Q4.

Here is a shape made from a rectangle and a triangle.



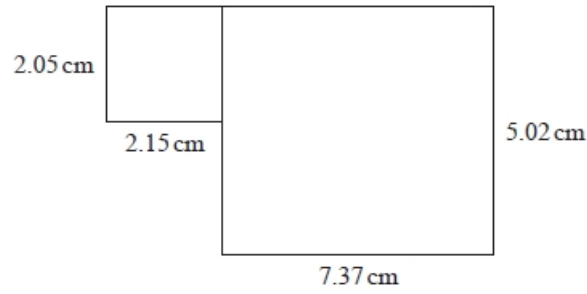
Work out the total area of the shape.

..... cm²

(Total for question = 3 marks)

Q5.

This shape is made from two rectangles.



(a) Work out an estimate for the total area of the shape.

..... cm²

(3)

(b) Is your answer to (a) an overestimate or an underestimate?

Give a reason for your answer.

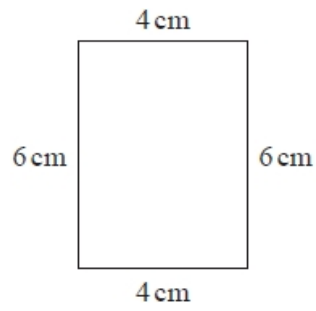
.....
.....

(1)

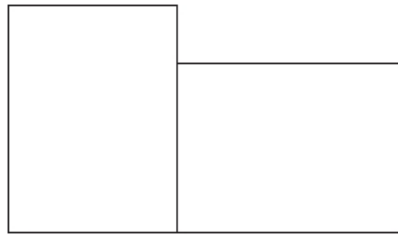
(Total for question = 4 marks)

Q6.

Here is a rectangle.



The 6-sided shape below is made from two of these rectangles.



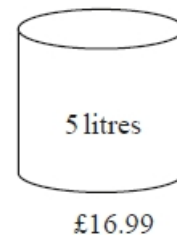
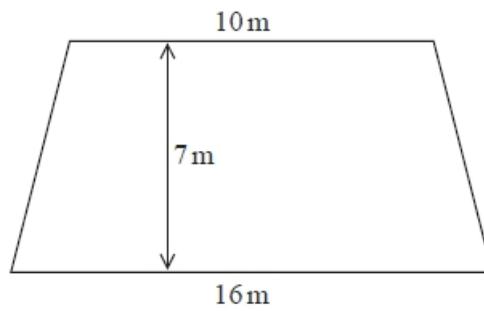
Work out the perimeter of this 6-sided shape.

..... cm

(Total for question = 3 marks)

Q7.

The diagram shows a floor in the shape of a trapezium.



John is going to paint the floor.

Each 5 litre tin of paint costs £16.99

1 litre of paint covers an area of 2 m^2

John has £160 to spend on paint.

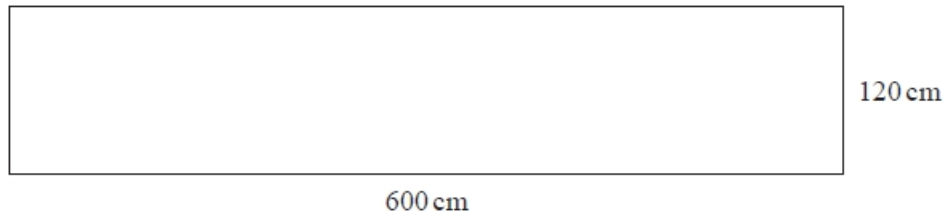
Has John got enough money to buy all the paint he needs?

You must show how you get your answer.

(Total for question = 5 marks)

Q8.

The diagram shows a rectangular garden path.



Wasim is going to cover the path with paving stones.

Each paving stone is a square of side 30 cm.

Each paving stone costs £2.50

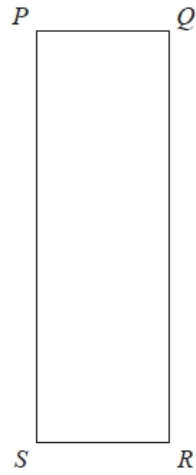
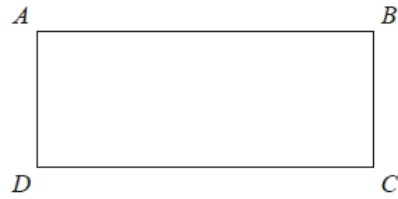
Wasim has £220 to spend on paving stones.

Show that he has enough money to buy all the paving stones he needs.

(Total for question = 4 marks)

Q9.

Here are two rectangles.



$QR = 10 \text{ cm}$

$BC = PQ$

The perimeter of $ABCD$ is 26 cm

The area of $PQRS$ is 45 cm^2

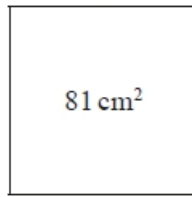
Find the length of AB .

..... cm

(Total for question = 4 marks)

Q10.

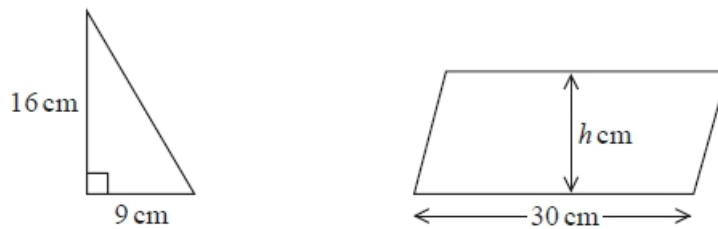
A square has an area of 81 cm^2



(a) Find the perimeter of the square.

..... cm
(2)

The diagram shows a right-angled triangle and a parallelogram.



The area of the parallelogram is 5 times the area of the triangle.
The perpendicular height of the parallelogram is $h \text{ cm}$.

(b) Find the value of h .

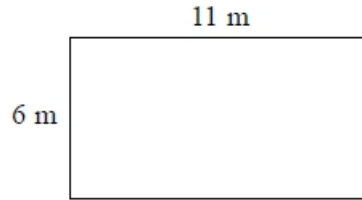
$h =$
(3)

(Total for question = 5 marks)

Q11.

A tin of varnish costs £15

A rectangular floor has dimensions 6 m by 11 m.
The floor is going to be covered in varnish.



Helen assumes that each tin of this varnish covers an area of 12 m².

(a) Using Helen's assumption, work out the cost of buying the varnish for this floor.

£

(4)

Helen finds that each tin of varnish covers less than 12 m².

(b) Explain how this might affect the number of tins she needs to buy.

.....
.....

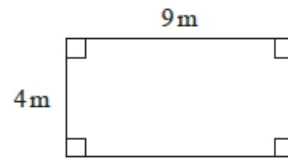
(1)

(Total for question = 5 marks)

Q12.

Shirley has a garage.

Here is a plan of her garage floor.



Shirley wants to buy enough paint to cover the garage floor as cheaply as possible. She can buy her paint from Decor U or from Paint Store.

<p>Decor U Floor paint</p> <p>£3.70 each tin 1 tin covers 12m²</p>
--

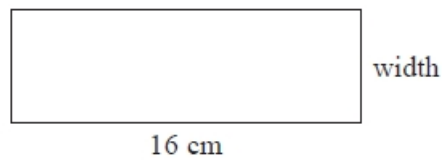
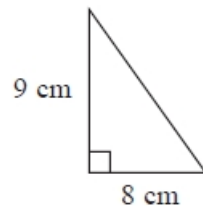
<p>Paint Store Floor paint</p> <p>£3.00 each tin 1 tin covers 10m²</p>
--

From which of these two shops should Shirley buy her paint?
You must show all your working.

(Total for question = 4 marks)

Q13.

Here are a triangle and a rectangle.



The area of the rectangle is 6 times the area of the triangle.

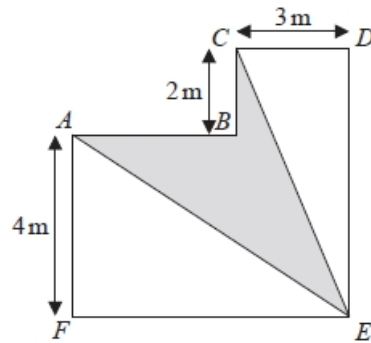
Work out the width of the rectangle.

..... cm

(Total for question = 4 marks)

Q14.

The diagram shows a shape $ABCDEF$.



All the corners of the shape are right angles.

The perimeter of the shape is 28 m .

Work out the area of $ABCE$ shown shaded on the diagram.

.....
(Total for question = 5 marks)