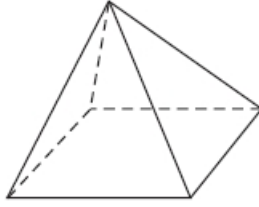


## G023 3D shapes

**Q1.**

Here is a square-based pyramid.



(i) How many faces does the pyramid have?

.....  
(1)

(ii) How many edges does the pyramid have?

.....  
(1)

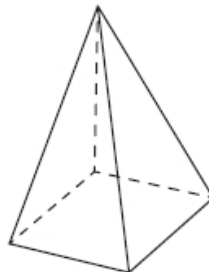
**(Total for question = 2 marks)**

**Q2.**

(a) Write down the number of faces of a cube.

.....  
(1)

Here is a square-based pyramid.



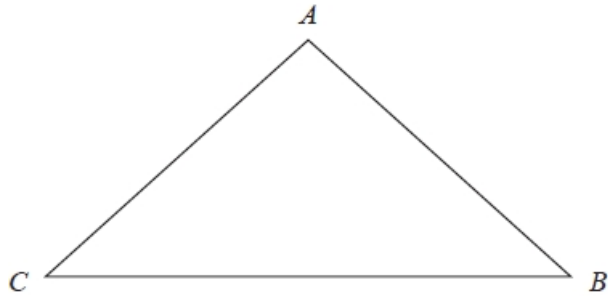
(b) Write down the number of edges.

.....  
(1)

**(Total for question = 2 marks)**

**Q3.**

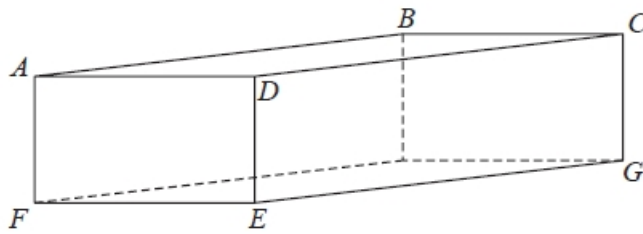
Here is a triangle  $ABC$ .



(a) Mark, with the letter  $y$ , the angle  $CBA$ .

(1)

Here is a cuboid.



Some of the vertices are labelled.

(b) Shade in the face  $CDEG$ .

(1)

(c) How many edges has a cuboid?

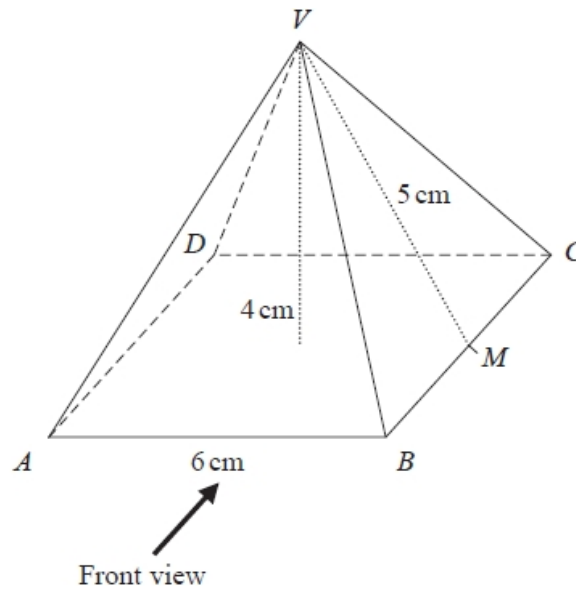
.....

(1)

**(Total for question is 3 marks)**

**Q4.**

Here is a solid square-based pyramid,  $VABCD$ .



The base of the pyramid is a square of side 6 cm.

The height of the pyramid is 4 cm.

$M$  is the midpoint of  $BC$  and  $VM = 5$

(a) Draw an accurate front elevation of the pyramid from the direction of the arrow.



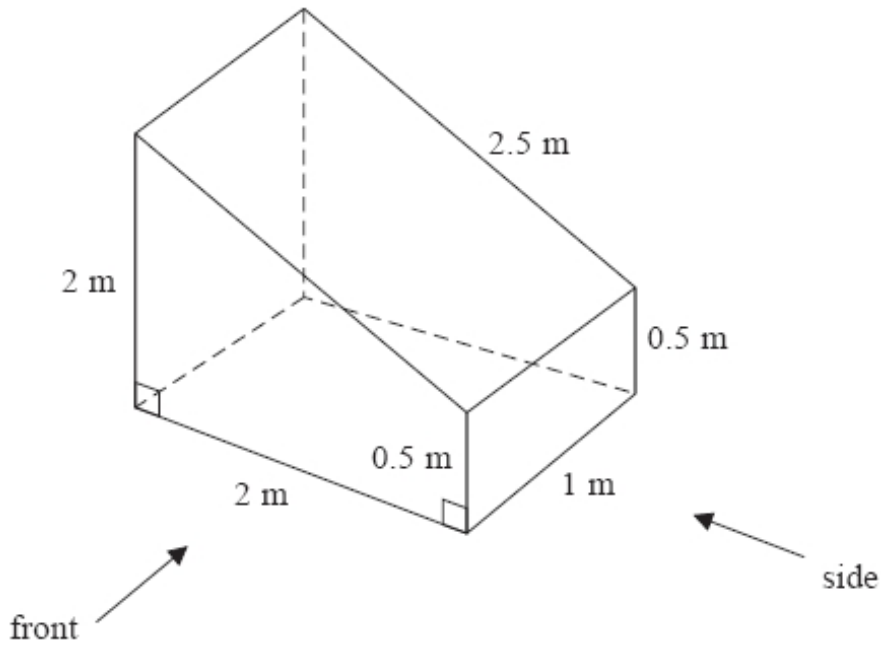
(2)

(b) Work out the total surface area of the pyramid.

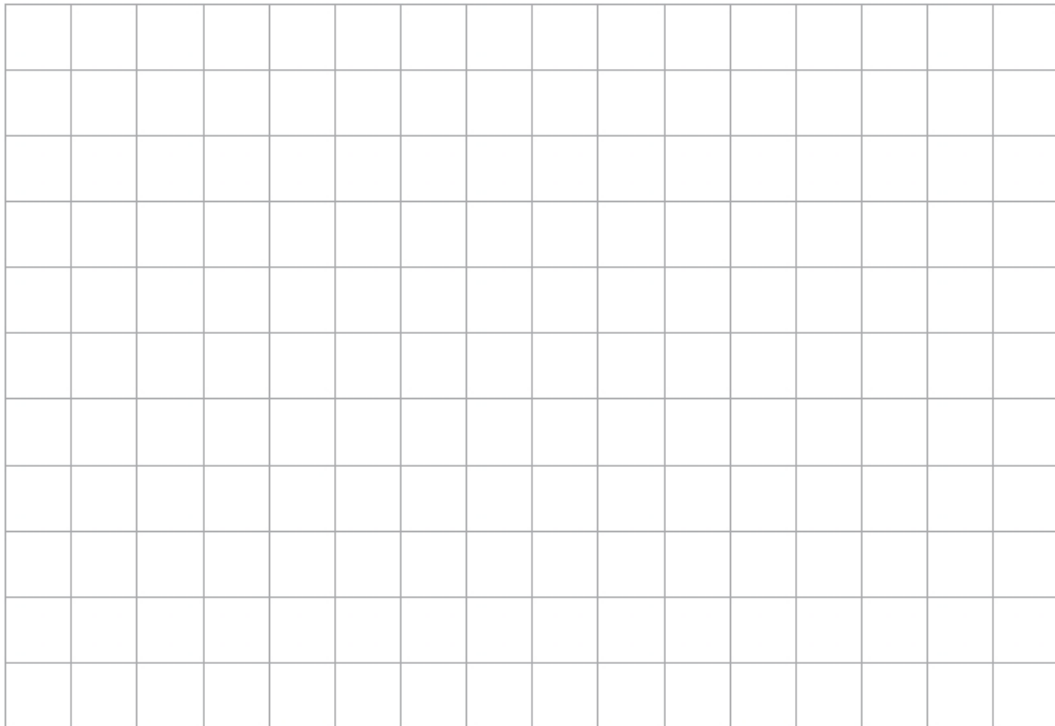
.....  
(4)  
**(Total for question = 6 marks)**

**Q5.**

The diagram shows a prism with a cross section in the shape of a trapezium.



On the centimetre grid below, draw the front elevation and the side elevation of the prism. Use a scale of 2 cm to 1 m.

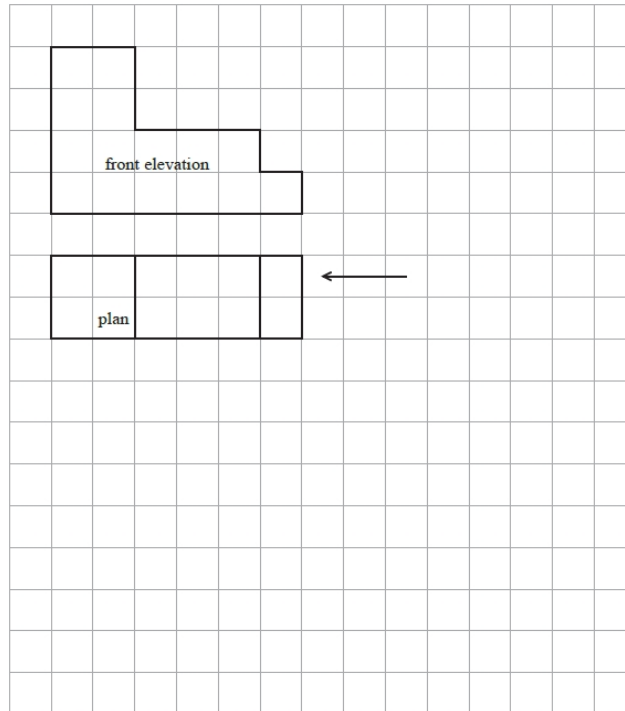


**(Total for question = 4 marks)**

**Q6.**

The front elevation and plan of a solid are shown on the grid.

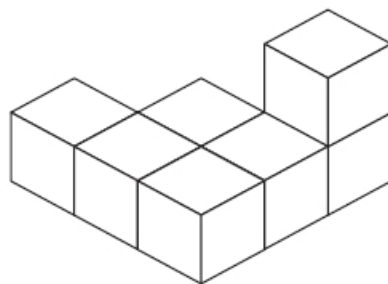
On the grid, draw the side elevation from the direction of the arrow.



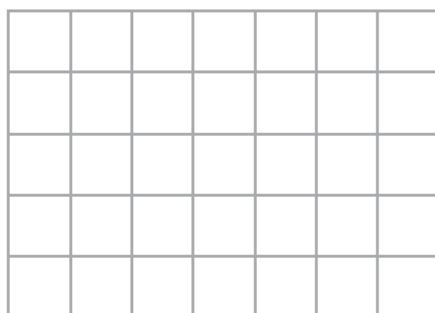
**(Total for question = 2 marks)**

**Q7.**

The diagram represents a solid made from seven centimetre cubes.



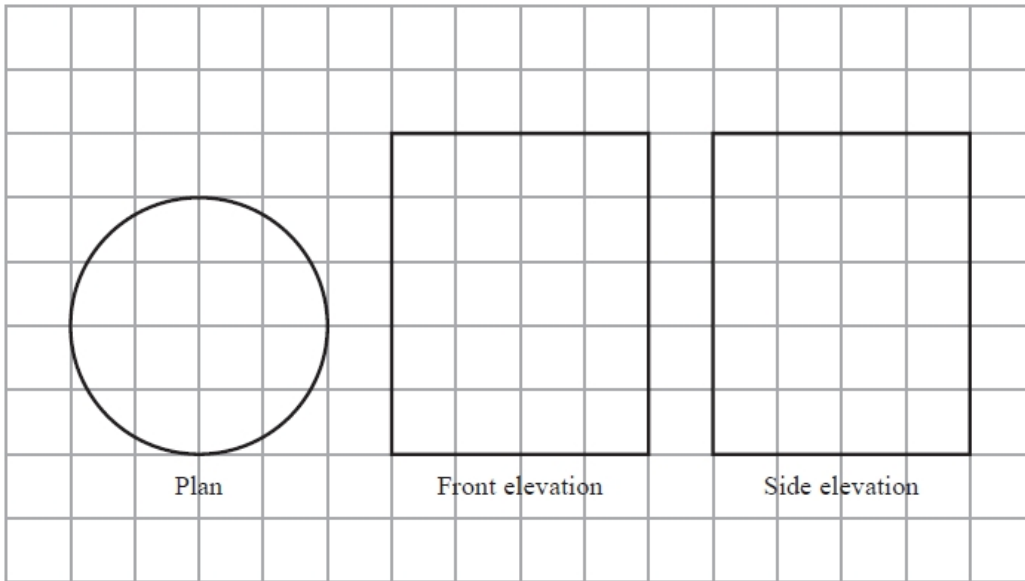
On the centimetre grid below, draw a plan of the solid.



**(Total for question = 2 marks)**

**Q8.**

The diagram shows the plan, front elevation and side elevation of a solid shape, drawn on a centimetre grid.

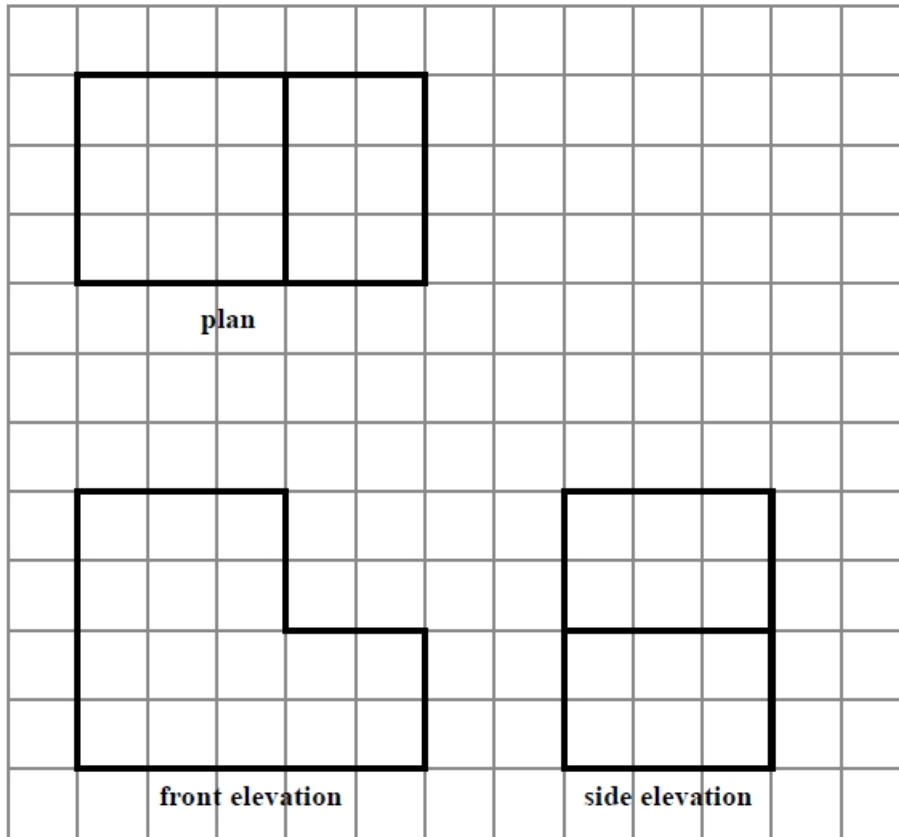


In the space below, draw a sketch of the solid shape.  
Give the dimensions of the solid on your sketch.

**(Total for question = 2 marks)**

**Q9.**

The plan, front elevation and side elevation of a solid prism are drawn on a centimetre grid.



In the space below, draw a sketch of the solid prism.  
Write the dimensions of the prism on your sketch.

**(Total for question = 2 marks)**